

Welcome to K2 Tables!

Thank you for your interest in our distinctive line of instrument tables. K2 Tables is a division of 20/20 Medical Systems, Inc., headquartered in Crystal Lake, Illinois, USA.

The mission of 20/20 Medical Systems is to produce electrically height adjustable tables (K2 Tables) that meet the highest standards of performance and reliability. The intended application of K2 Tables is to provide a platform that is easily adaptable for use with medical and scientific instrumentation. Strict quality controls are enforced during the manufacturing of our tables to provide you with years of reliable service.

We look forward to earning your business. If you have any questions, comments or special requests, please contact us!

Best regards,



Gary Chianakas

President/CEO



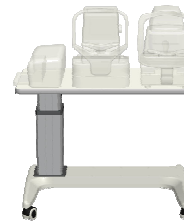
A division of 20/20 Medical Systems, Inc.
111 Erick Street
Crystal Lake, IL 60014 USA

Ph: 800-760-5005
Fx: 815-455-7168
Em: info@K2Tables.com
Web: www.K2Tables.com

Compact H-Base
1 or 2 Instruments



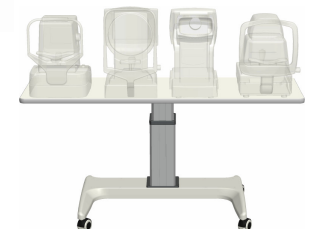
Upgradeable!



Wheelchair Accessible Base
Up to 4 Instruments



Adaptable!



Q: What is *ACP Technology*?

A: Adaptive Column Positioning

K2 Tables are designed with proprietary adaptable and interchangeable features. A single K2 Table can be assembled in a variety of different ways to meet the requirements of virtually any instrument, or group of instruments. This concept, known as **Adaptive Column Positioning (ACP Technology)**, brings unprecedented benefit to our customers.

Let K2 Tables adapt to the way YOU do business. Is space at a premium in your office? K2's compact, H-base design may be the answer. Then, as your needs change and your practice grows, consider our exclusive trade-in / trade-up program. Return to us your compact base and trade up for a large base and large top assembly. You retain the original column (the backbone and main component of the table) and purchase only a new large base and top. In doing so, you will save hundreds of dollars on the cost of a completely new table.

Consider, also, the uniqueness of the K2 wheelchair accessible large base design. There are situations where certain instruments will function best when placed on a table with a CENTER-mounted column; other times instruments need a FAR-LEFT or FAR-RIGHT column mount; and still others will require a MID-LEFT or MID-RIGHT column position. To accommodate *all* of these situations and instrument configurations, just a single K2 column/base assembly will suffice. To illustrate the applications of ACP Technology, please view the following pages.

- Compact H-Base
- Top Size: 20" x 20" (510 x 510)
- Capacity: 1 Instrument
- Model No. K2020GT



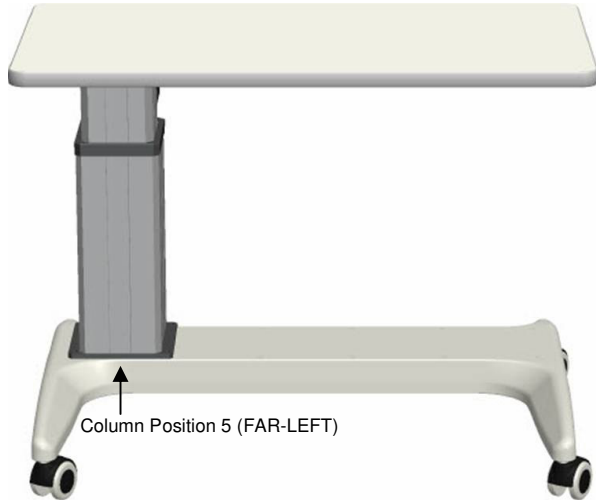
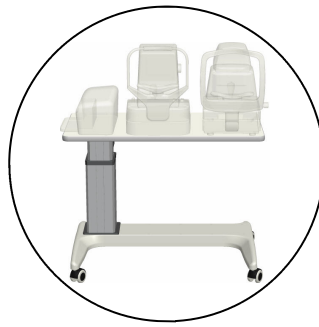
- Compact H-Base
- Top Size: 16" x 20" (400 x 510)
- Capacity: 1 Instrument (Slit Lamp)
- Model No. K1620SL



- Compact H-Base
- Top Size: 20" x 32" (510 x 810)
- Capacity: 2 Instruments
- Model No. K2032RT

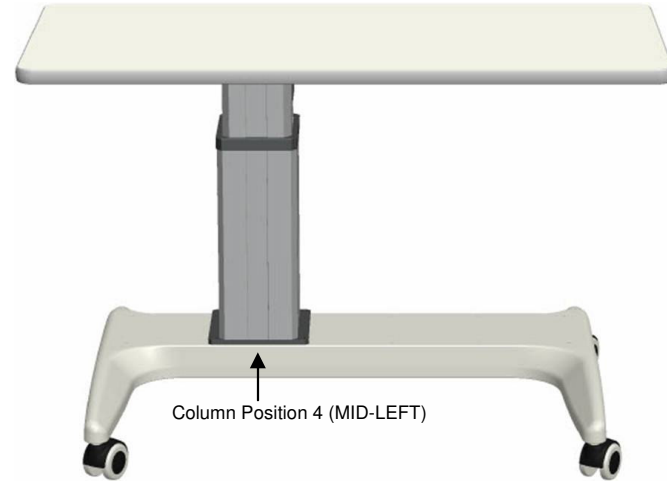


- Wheelchair Accessible Base
- Top Size: 20" x 36" (510 x 915)
- Capacity: Up to 3 Instruments
- Model No. K2036RTP5



Column Position 5 (FAR-LEFT)

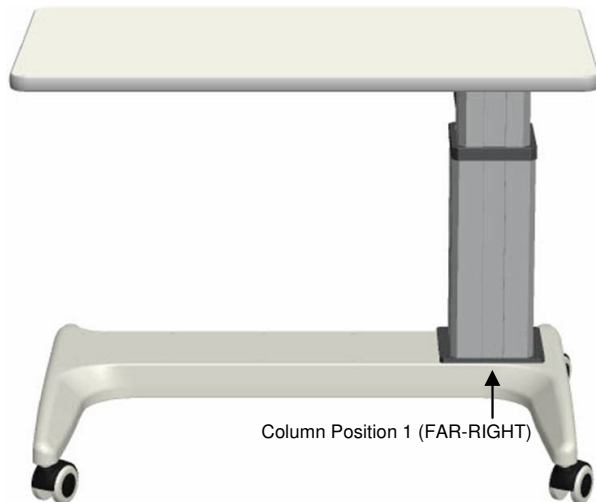
- Wheelchair Accessible Base
- Top Size: 20" x 42" (510 x 1065)
- Capacity: Up to 3 Instruments
- Model No. K2042RTP4, K2042RTP3, or K2042RTP2



Column Position 4 (MID-LEFT)

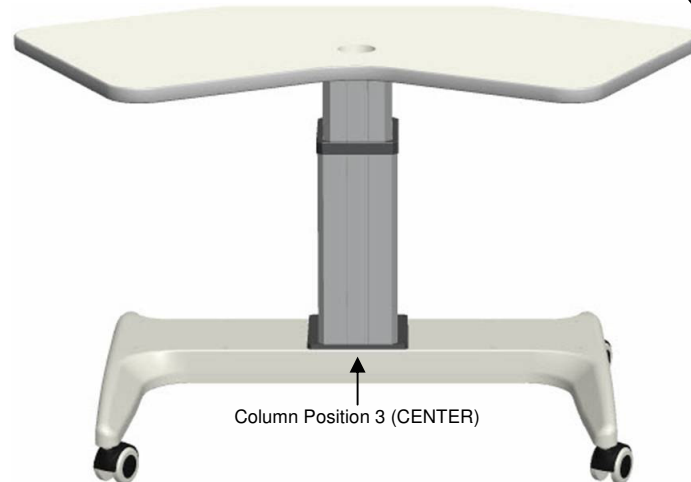
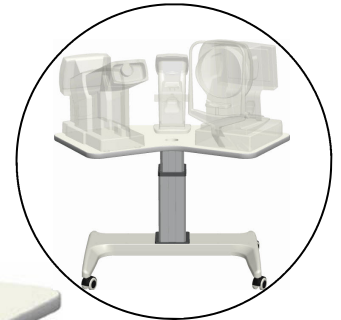
Adaptive Column Positioning

- Wheelchair Accessible Base
- Top Size: 20" x 36" (510 x 915)
- Capacity: Up to 3 Instruments
- Model No. K2036RTP1



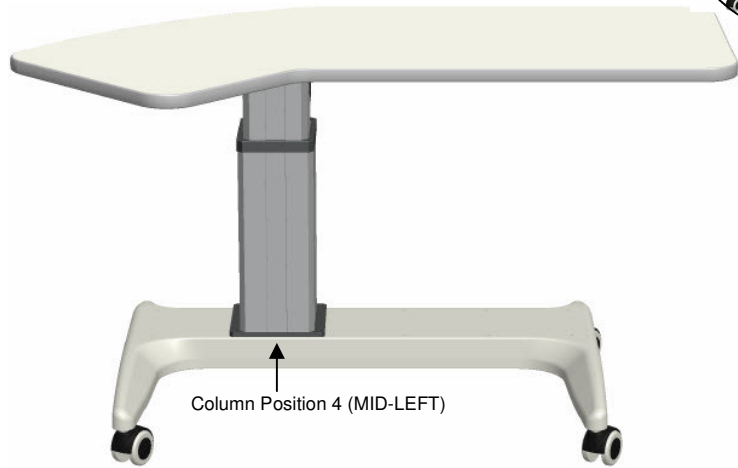
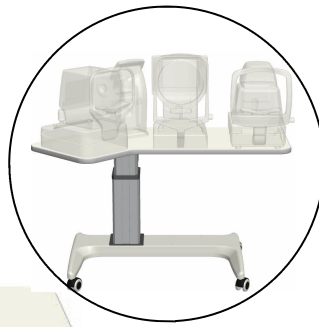
Column Position 1 (FAR-RIGHT)

- Wheelchair Accessible Base
- Top Size: 24" x 46" (610 x 1170)
- Capacity: Up to 3 Instruments
- Model No. K2446VTP3



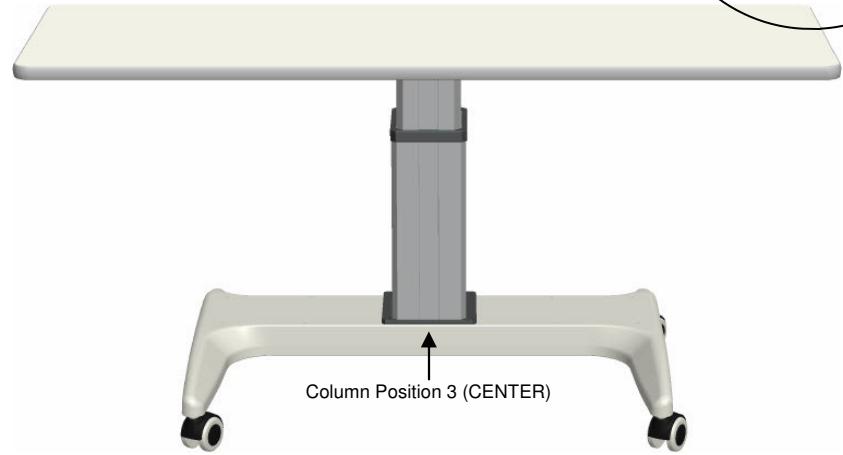
Column Position 3 (CENTER)

- Wheelchair Accessible Base
- Top Size: 27" x 50" (685 x 1270)
- Capacity: Up to 4 Instruments
- Model No. K2750SWLP4



Column Position 4 (MID-LEFT)

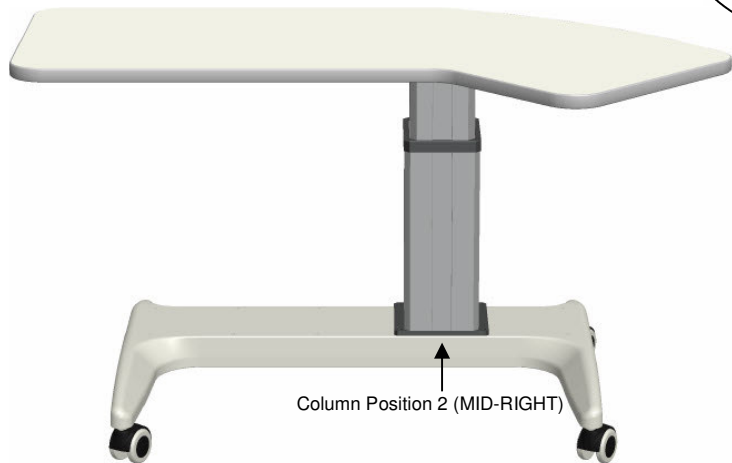
- Wheelchair Accessible Base
- Top Size: 20" x 56" (510 x 1420)
- Capacity: Up to 4 Instruments
- Model No. K2056RTP3



Column Position 3 (CENTER)

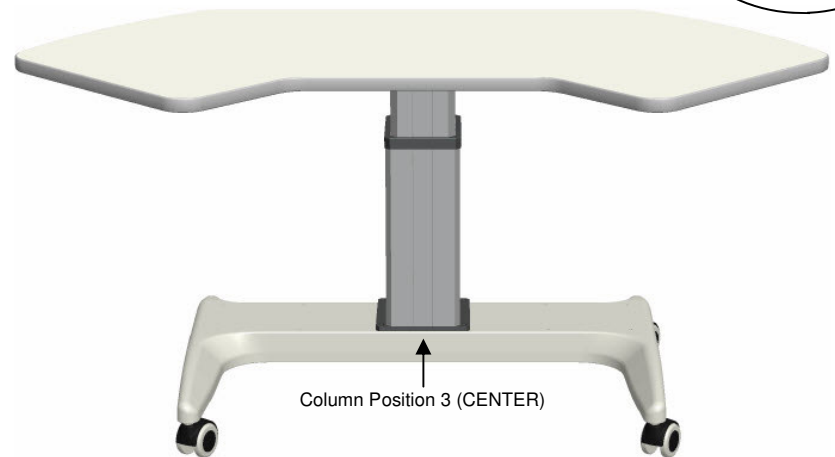
Adaptive Column Positioning

- Wheelchair Accessible Base
- Top Size: 27" x 50" (685 x 1270)
- Capacity: Up to 4 Instruments
- Model No. K2750SWRP2



Column Position 2 (MID-RIGHT)

- Wheelchair Accessible Base
- Top Size: 28" x 57" (710 x 1450)
- Capacity: Up to 4 Instruments
- Model No. K2857DWP3



Column Position 3 (CENTER)